



Dimensions: mm [inches]

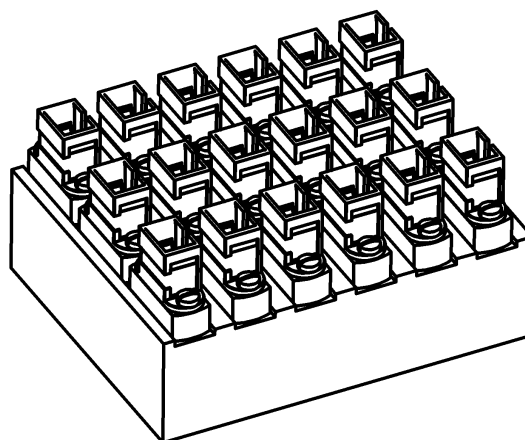
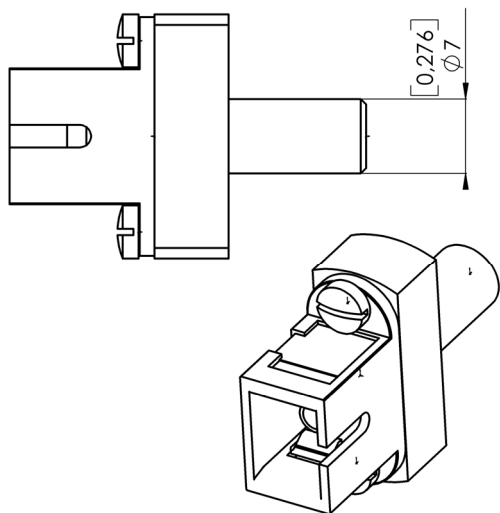


Fig 2

GENERAL

This tool is used for curing SC harsh RADIALL connector.

TO BE USED WITH OVEN :
F 780 477 000 (110 V)
F 780 478 000 (220V)

TO BE USED with polymerisation block F780 613 000 (see picture 2)

CREATION					RADIALL® 101, rue P. Hoffmann 93116 ROSNY/BOIS FRANCE Tel : (33) 0149353535 Fax : (33) 0148546363
N°:					
PEN/EP :					
M0404000077					
Name: LV					
Date: 13 Sep. 04					
Appr.:	Issue	Revisions	Name	Appr.	